

Canon

COLOR LASER BEAM PRINTER

COLOR LASER SHOT

LBP-2050/2040



COLOR
LASER
SHOT



USER'S GUIDE

Table of Contents

Turning the Power on and off	2
Turning the Power on	2
Turning the Power off	4
Paper	5
Compatible paper	5
Incompatible Paper	7
Printable Areas	8
Loading Paper	9
Cautions when Loading Paper	9
Printing from the Paper Cassette	10
Paper Jams	15
Canceling Printing	17
Checking Operations	19
Test Print	19
Status Print	21
Replacing a Toner Cartridge	23

Turning the Power on and off

After the printer and options go through a status check and calibration, printing is enabled. When the power is turned off, all of the printing data in the memory is lost. Always check that the ジョブ indicator is off before turning off the power in order to avoid deleting important printing data by accident or deleting printing data from another computer when connected to a network.

Turning the Power on

To turn on the power follow the instructions below.

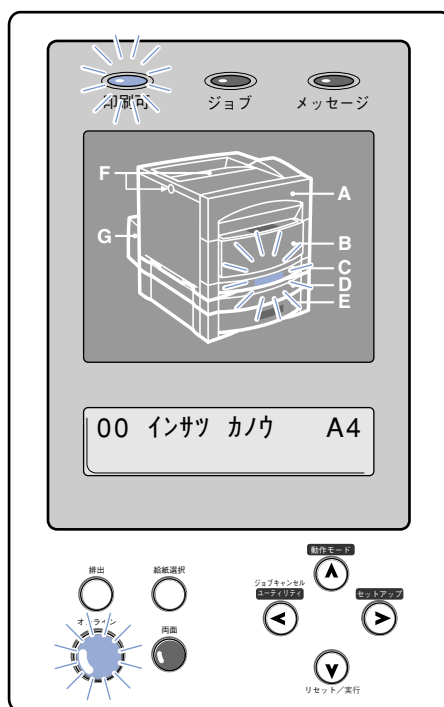
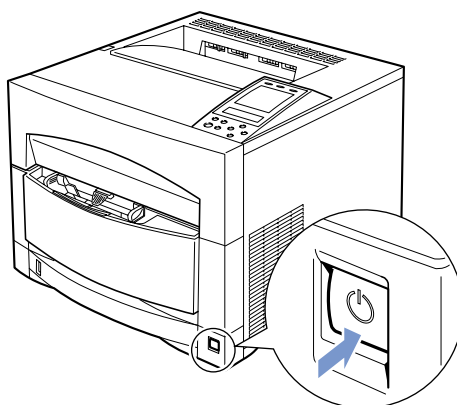
1

Press the power button on the printer.

The power button will now be in a pressed-down state.

The operation panel indicators and the display comes on and the status of the printer and optional device(s) is self-diagnosed.

If the results of the self-diagnosis are normal, the オンライン indicator, the 印刷可 indicator and the selected paper feed indicator come on and printing is enabled when the message [00 インサツ カノウ] appears on the display.



The following information appears on the display.

Printing enabled, no
printing data being
processed

00 インサツ カノウ

A4

Currently selected
output tray

Power saving (Sleep mode)

The printer will go into sleep mode to save power if no operations are carried out and no data is sent from the computer for a set time.

Sleep mode is automatically canceled if data is sent from the computer or an operation panel key is pressed.



- The factory setting for sleep mode is 60 minutes. You can use the menu function to change this to 15, 30, 60 or 180 minutes.

Turning the Power off

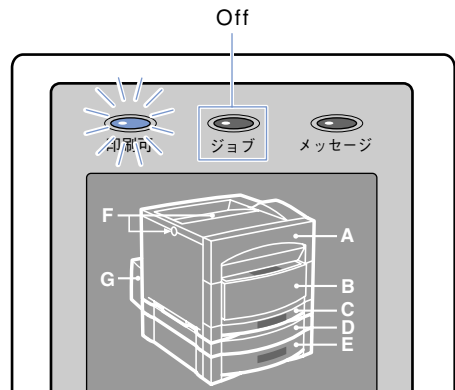
To turn off the power follow the instructions below.



- If the printer is connected to a network, check that other computers are not printing before you turn off the power.
- If you turn off the power when the ジョブ (Job) indicator is on, any printing data remaining in the printer's memory will be lost. Go off-line, press the 排出 (Eject) key to output the printing data and then turn off the power.
- Do not turn off the printer while printing.
- Do not turn off the printer during the self-diagnosis carried out immediately after turning the power on.

1

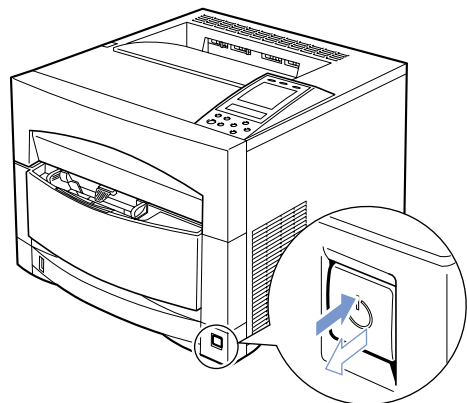
Check that the ジョブ (Job) indicator is off.



2

Press the power button on the printer.

The power button will pop up.
The message [パワーオフ チュウ] (Power Off Chuu) flashes on the display and after a while (approximately 10 minutes), the power will turn off.



- When the power is turned off, the internal cooling fan on the rear panel of the printer will continue to operate until the interior of the printer has been fully cooled off. If you want to remove the power cable, wait until the cooling fan has completely stopped (approximately 10 minutes).

Paper

Compatible Paper

Use the correct paper in order to get the best performance from your printer. Using incompatible paper can lead to reduced printing quality and paper jamming.

Paper source	Paper type	Size	Weight (g/m ²)	Max. sheet no.	Paper type/ media setting
Paper cassette	Plain paper	A5, B5, A4, Letter, Executive, Legal	64-105	approx. 250 (64 g/m ²)	フツウシ
Paper feeder unit (option)	Plain paper	A5, B5, A4, Letter, Executive, Legal	64-105	approx. 500 (64 g/m ²)	フツウシ
	Plain paper	width: 76.2-216 mm length: 127-356 mm	64-105	approx. 100 (64 g/m ²)	フツウシ
	Thick paper	width: 76.2-216 mm length: 127-356 mm	106-135	approx. 50 (128 g/m ²)	アツガミ
	Glossy paper	A4 (Canon Color Laser Glossy paper GF-2 A4)	—	approx. 50	コウタクフィルム
Paper tray	Transparencies	A4 (Canon Color Laser OHP paper TR-1 A4)	—	approx. 50	OHP
	Label sheet	A4 (Canon domestic label sheet: 7.8 g)	—	approx. 50	アツガミ



- This printer cannot output paper that is less than 176 mm in length face down. Always output this type of paper into the sub-output tray (face-up output).
- Always use the optional duplex unit when you are duplex printing. You cannot manually duplex print from the paper tray or paper cassette. If you do manually duplex print (feed in the reverse side of a sheet of paper that you have printed on) this could lead to poor printing quality.
- If you load Executive-size paper into the paper feeder, leave plenty of space between the top of the stack and the paper limit guide (→ p. 12). (→ p. 10)

● Plain Paper

You can use plain paper of 76.2-216 mm width, 127-356 mm length and 64-105 g/m² weight with this printer. This includes A5-, B5-, A4-, Letter-, Legal- and Executive-size paper. You can load standard-size plain paper into the paper cassette and 500-sheet paper feeder. Paper of other sizes should be loaded into the paper tray. Attaching the optional duplex unit allows you to automatically duplex print on plain paper.

● Thick Paper

You can use thick paper of 76.2-216 mm width, 127-356 mm length and 106-135 g/m² weight with this printer. This includes A5-, B5-, A4-, Letter-, Legal- and Executive-size paper. Thick paper should be loaded into the paper tray.

● Glossy paper

To use glossy paper, use only dedicated Canon GF-2 A4 Color Laser Glossy paper (A4 size).



- GF-2 A4 Glossy paper is designed especially for use with the LBP-2040 printer. Do not use this paper in any other color laser printer or monochrome printer. Such use may result in printer malfunction or deterioration in picture quality.

● Transparencies

To use transparencies, use only dedicated Canon TR-1 A4 Color Laser OHP paper (A4 size).



- TR-1 A4 OHP paper is designed especially for use with the LBP-2160, LBP-2040 and the LBP-2260. Do not use this paper in any other color laser printer or monochrome printer. Such use may result in printer malfunction or deterioration in picture quality.
- Transparencies, other than those specified such as OHP paper for use with Canon LASERSHOT LBP-2030 (Canon T-H1 A4 Color Laser LBP OHP paper), OHP for CLC, and OHP for monochrome use (Canon domestic LBP transparencies), must not be used in this printer. Such use may result in a malfunction in the fixing assembly, or deterioration of picture quality.

● Label sheet

A4-size label sheet can be used in this printer.



- Do not use the following types of label sheet. If a sheet type that does not conform to specifications is used, paper jams that are hard to remove may occur or printer malfunctions may be caused.
 - Sheet with labels that are likely to peel off, or sheet on which part of the labels have been used.
 - Coated sheet that can easily peel off from the backing sheet.
 - Label sheet with some adhesive surfaces exposed.

Incompatible Paper

In order to avoid paper jams and damaging the printer, do not use the following types of paper.



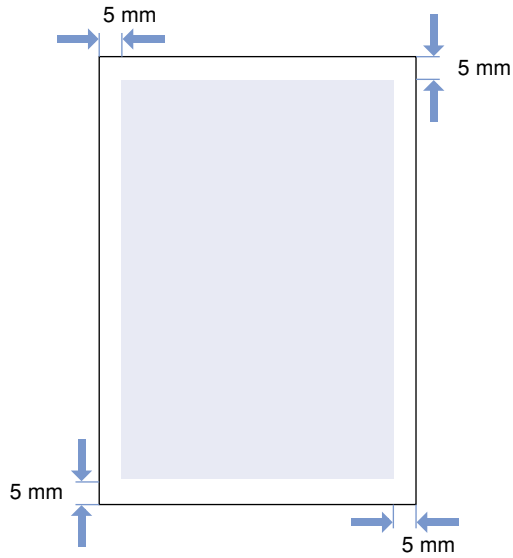
- Paper that jams easily
 - Paper that is too thick or too thin
 - Non-standard size paper
 - Wet or damp paper
 - Torn paper
 - Coarse or extremely smooth paper
 - Paper with binder holes, serrated paper
 - Curled paper, creased paper
 - Paper with special coatings on it (such as coatings especially for ink jet printers)
 - Label sheet with labels that peel off easily
 - Paper that has already been used for photocopying or laser printing (reverse side also incompatible)
- Heat-sensitive paper
 - Paper with ink that melts, burns or gives off toxic vapors in the heat of the fixing assembly (approx. 180 °C)
 - Thermal paper
 - Color paper with a processed surface
 - Specially coated paper (such as coatings especially for ink jet printers)
 - Paper with adhesive on it
- Paper that can cause printer malfunction or damage
 - Carbon paper
 - Paper with staples, clips, ribbons or tape attached
- Paper on which toner cannot fix easily
 - Coarse paper such as pulp paper and Japanese writing paper, paper with rough fibers
 - Paper with special coatings on it (such as coatings especially for ink jet printers)

Printable Areas

The areas that can be printed on the paper are given below.

- Plain paper, thick paper, transparencies, glossy paper, label sheet

Plain paper, thick paper, transparencies, glossy paper and label sheet can be printed in areas with a minimum margin of 5 millimeters.



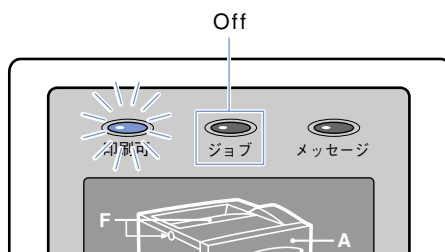
Loading Paper

When the paper in the paper cassette and the paper tray runs out, the display will show either the message [11 XXXヨウシガアリマセン] or [17 カセット ヨウシ ナシ], to show that the paper sources are empty. When you see these messages, load paper into the paper source.

Cautions when Loading Paper

Load paper only in the following circumstances.

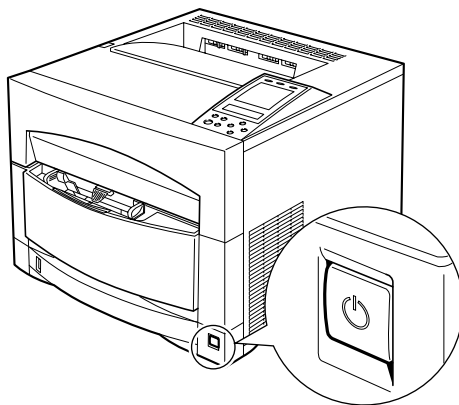
- When the ジョブ indicator is off



- When the message [ヨウシガアリマセン] appears on the display

11 XXXヨウシガアリマセン

- When the printer is off

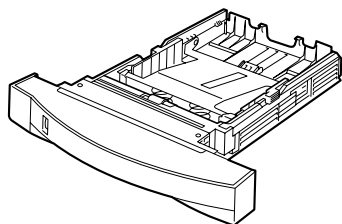


- Never open the cover or cassette while printing is in progress and the ジョブ indicator is flashing. This could cause the printer to stop and you will not be able to print.

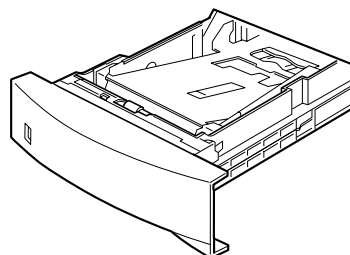
Printing from the Paper Cassette

You can load standard-size plain sheets of A5, B5, A4, Letter, Legal and Executive paper into the paper cassette and optional 500-sheet paper cassette.

You can load up to 250 sheets of paper (64 g/m²) in the standard paper cassette and up to 500 sheets (up to 250 if you are using Executive-size paper) of paper (64 g/m²) in the 500-sheet paper cassette of the optional paper feeder unit.



250-sheet paper cassette (standard)



500-sheet paper cassette (option)

■ 250-sheet paper cassette (standard)

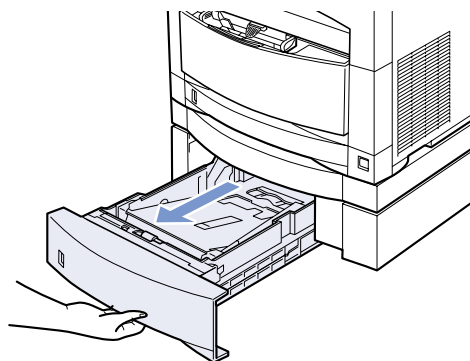
See “Loading Paper” (→ p. 9) for details on how to load paper into the 250-sheet paper cassette.

■ 500-sheet paper cassette (option)

Follow the instructions below when loading paper into the 500-sheet paper cassette.

1

Check that the ジョブ indicator is not flashing, then pull the handle of the 500-sheet paper cassette and pull the paper cassette all the way out.

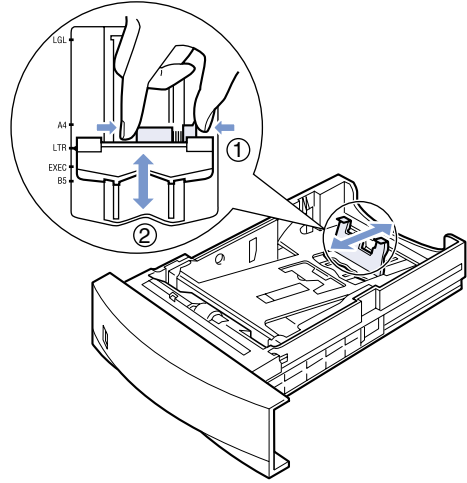


Caution

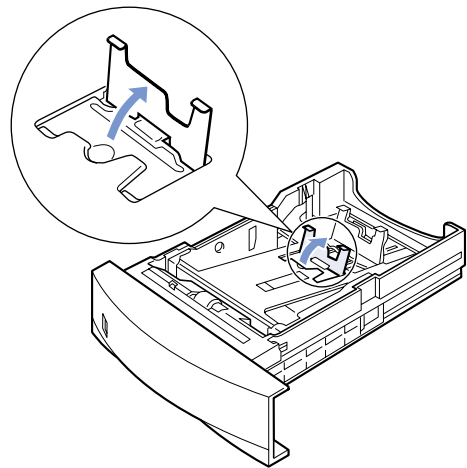
- When the paper cassette is heavy because it has paper in it, pull the cassette part of the way out and change your grip so that you are holding it in both hands, then pull it all the way out. If you drop the paper cassette, you could injure yourself or damage the printer.

2

Hold the lock lever of the rear paper size guide ① and line it up with the size of the paper you want to load ②.



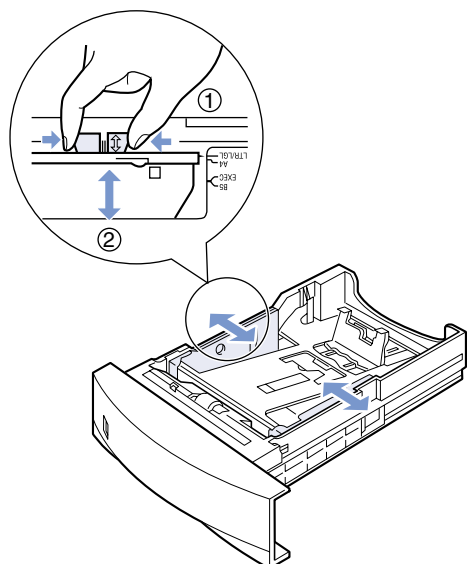
If you want to load A5-size paper, lift up the special rear A5 paper size guide.



3

Hold the lock lever of the left paper size guide ① and line it up with the size of the paper you want to load ②.

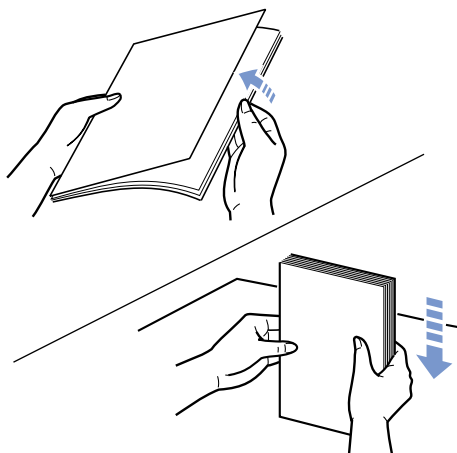
The side paper size guides operate together.



4

Fan the paper, then straighten the edges.

Set the paper on a flat surface to line up its edges.

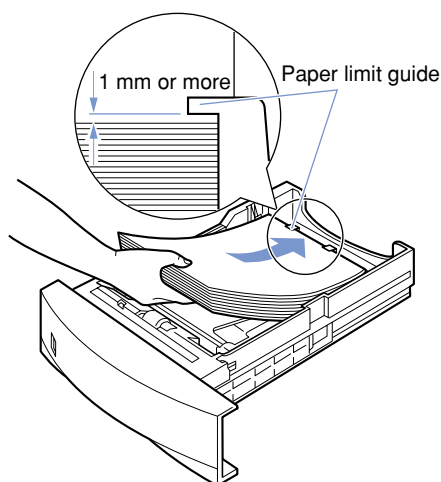


- If the paper is not straightened before loading, this could lead to a paper feed malfunction or paper jam.

5

Set the paper flush against the rear paper size guide and then load it into the cassette.

Paper can be loaded into the cassette until there is a space of approximately 1 mm or more between the top of the paper stack and the paper limit guide (you should leave a reasonable amount of space between the paper limit guide and the top of the paper stack).

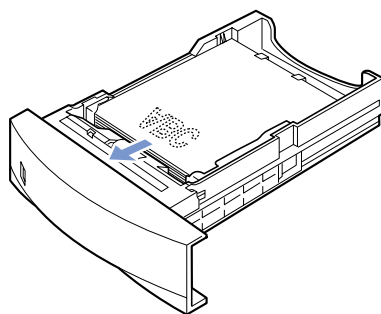


- Do not force the top of the paper stack down under the paper limit guide. This could lead to a paper feed malfunction or a paper jam.
- If you are loading Executive-size paper into the cassette, leave plenty of space between the top of the stack and the paper limit guide. (You should load approximately 250 sheets.) This could lead to a paper feed malfunction.

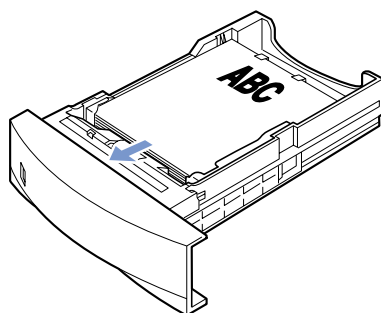


To print on letterhead paper or paper with a logo on it, follow the instructions below to load the paper in the proper direction.

- If you want to print a single-side print, load the paper so that the side you want to print on is face down and the top edge of the paper is facing the front of the cassette.

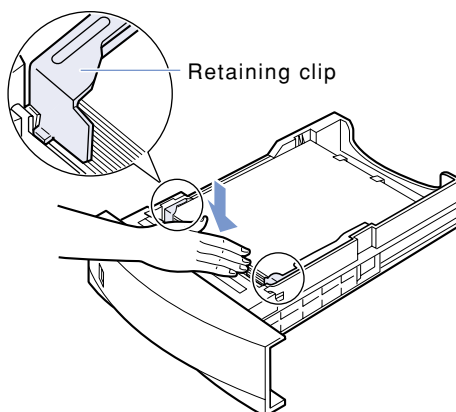


- If you are using the optional duplex unit to duplex print, load the paper so that the side you want to print on is face up and the top edge of the paper is facing the rear of the cassette.



6

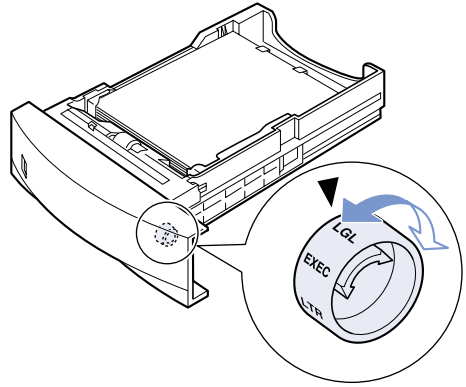
Press down on the front edge of the paper stack and press the left and right edges of the paper down under the retaining clips.



7

Set the paper size dial to the new paper size.

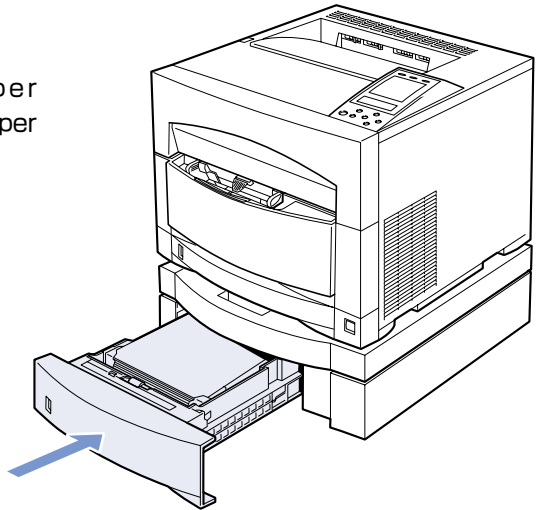
If you have loaded A5-size paper, set the paper size dial to “CUSTOM”.



- Always set the paper size dial to the size of the paper you want to load. If you do not, the paper will not feed properly.
- Set the paper size dial to “CUSTOM” if you have loaded A5-size paper.

8

Load the 500-sheet paper cassette into the 500-sheet paper feeder.

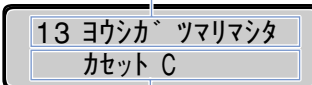


- If the paper is not fed, move the paper size guide back marginally being careful not to push the paper too hard.
- If multiple sheets of paper are outputted, move the paper size guide forward marginally being careful not to leave a space between the paper size guide and the stack of paper.

Paper Jams

If a paper jam occurs, check the position of the jam as given in the message and remove the jam as shown in the diagram below.

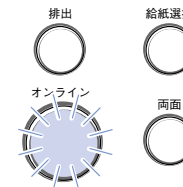
Shows that paper is jammed.



The name and symbol indicating the location of the paper jam appears on the display. This symbol is the same as one of the symbols on the display panel. If there is more than one paper jam, each location will be shown in order.

After clearing the paper jam

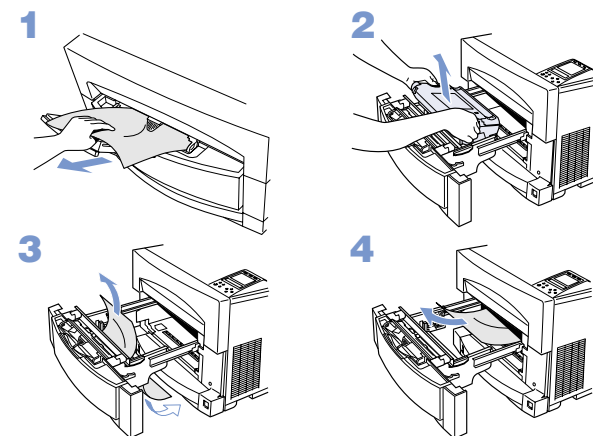
- 1 Press the **オンライン** key to turn on the オンライン indicator. Printing is restarted from the page where it was interrupted.



00 インサツ カノウ A4

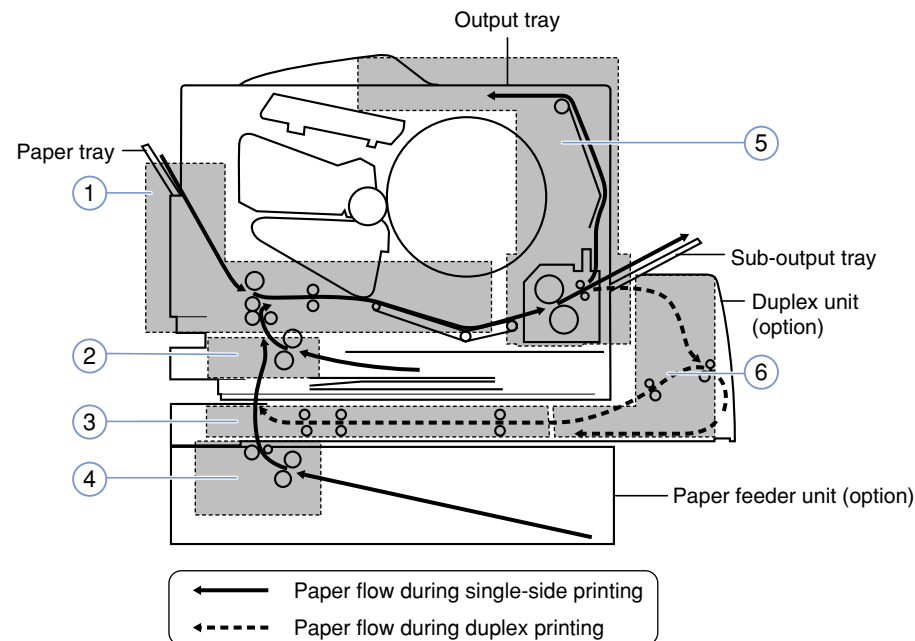
① If the message [ITB ユニットカバー B] appears on the display

Check the paper tray and inside the ITB unit cover and remove any jammed paper.



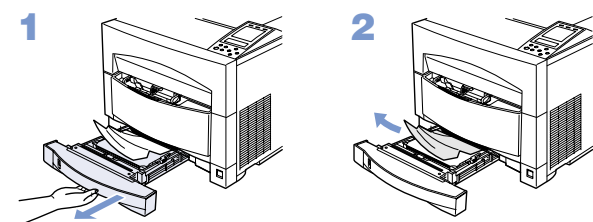
Caution

- Do not put your hand inside the ITB unit cover immediately after using the printer. The fixing assembly or surrounding area at the back of the printer is extremely hot.



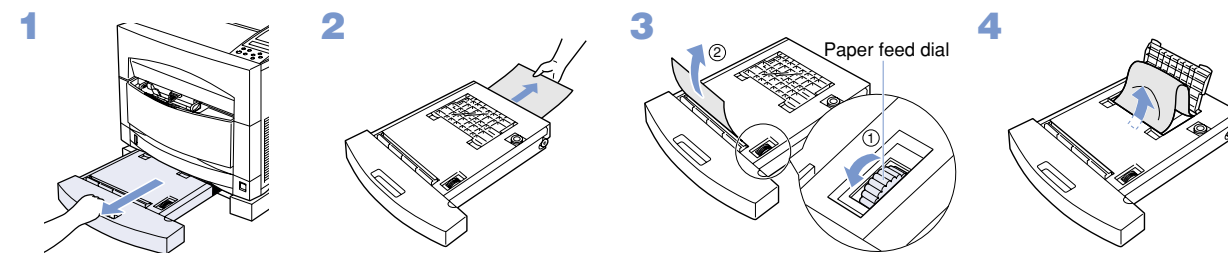
② If the message [ウエ カセット C] appears on the display

Check inside the paper cassette and remove any jammed paper.



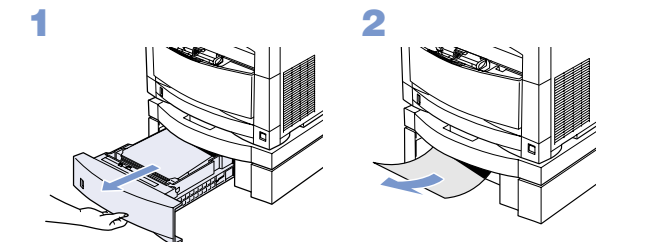
③ If the message [カミツマリ ショリ トレイ D] appears on the display (When the duplex unit is attached)

Check inside the jamming treatment tray and remove any jammed paper.



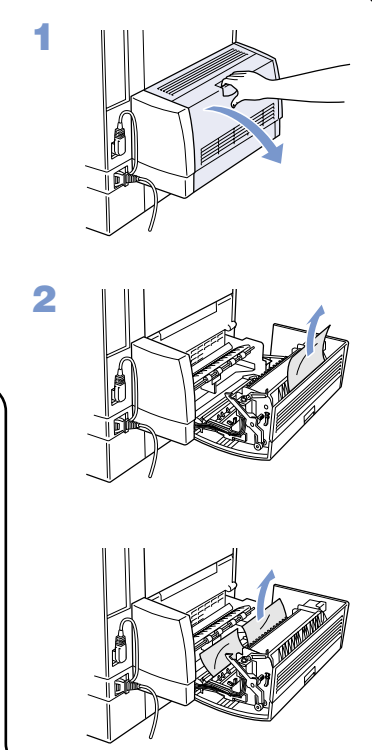
④ If the message [シタ カセット E] appears on the display (When the duplex unit is attached)

Check inside the 500-sheet paper cassette and remove any jammed paper.



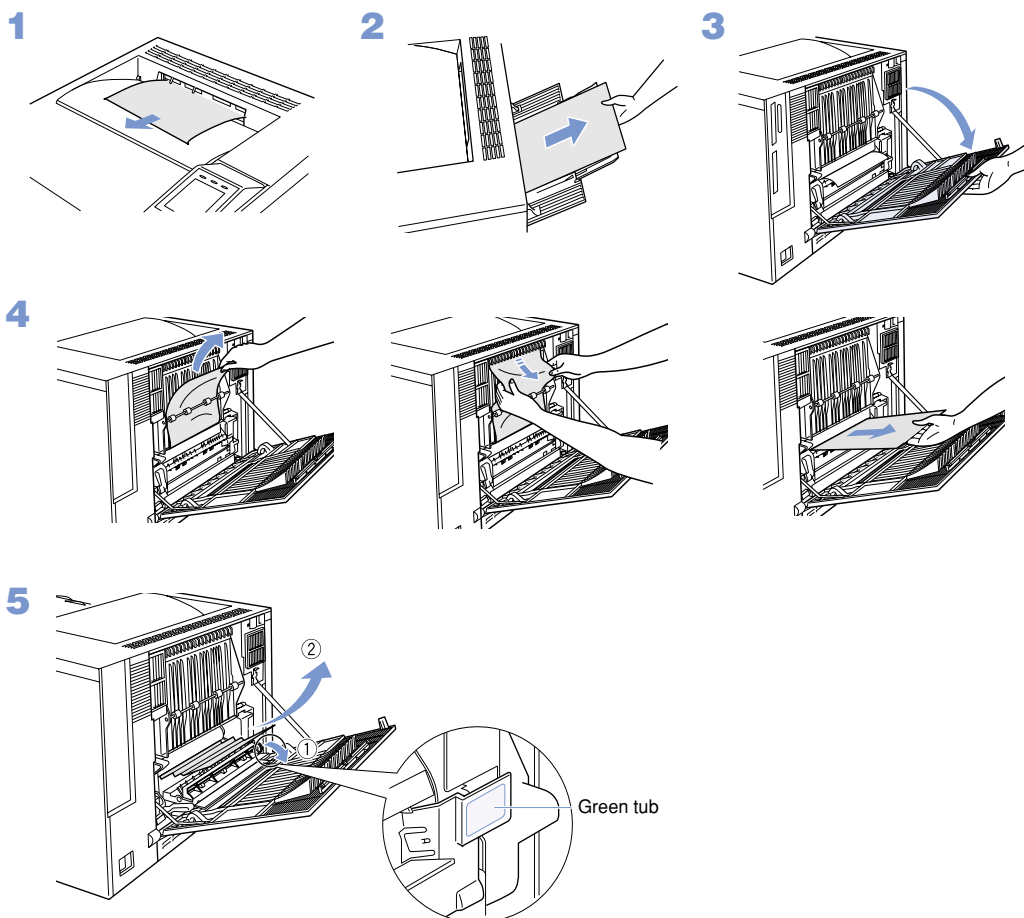
⑥ If the message [リョウメン ユニット G] appears on the display (When the duplex unit is attached)

Check inside the top cover of the duplex unit and remove any jammed paper.



⑤ If the message [コウブ カバー] appears on the display

Check the output tray, sub-output tray and inside the rear cover and remove any jammed paper.



 **Caution**

- Do not touch the fixing assembly or surrounding area because they will be extremely hot after printer operation. Touching the fixing assembly could result in serious burns.

Canceling Printing

To cancel printing currently being performed, carry out job cancel. Job cancel lets you cancel a job while data is being received or processed. It does not affect the printing data for the next job or any other interface jobs for which data processing has not begun.

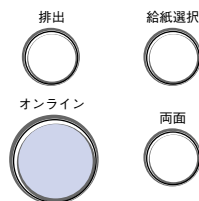


- Carry out job cancel off-line when data is being processed (when the ジョブ indicator is on or flashing). If you press the **ジョブキャンセル** key when the ジョブ indicator is off, it functions as the **ユーティリティ** key.
- Data that has already been processed and is currently being printed (when paper feeding has begun) cannot be canceled. In this case, be careful because carrying out job cancel might cancel the next printing data.
- If printing data is sent from a printer driver other than your printer driver and mixed with your data, multiple printing jobs might be canceled.

Follow the instructions below to carry out job cancel. Only carry out job cancel when the ジョブ indicator is on or flashing (when the data of the job you want to cancel is being received or processed).

1

Press the **オンライン** key to turn off the オンライン indicator.



00 LIPS

A4

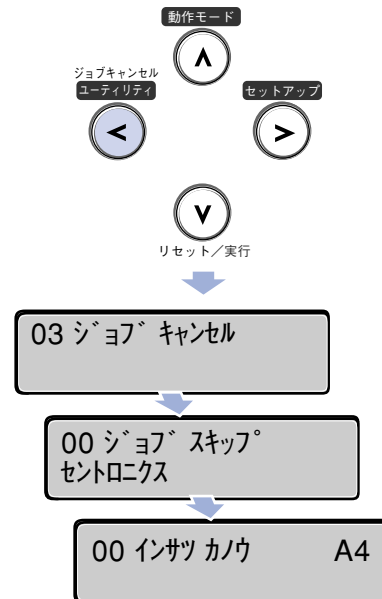
2

Press the **ジョブキャンセル** key.

The message [03 ジョブ キャンセル] appears on the display and the printing data being processed is canceled.

When processing takes time, such as when receiving data, the message on the display changes to [00 ジョブ スキップ].

When the message [00 インサツ カノウ] appears on the display, job cancel is complete.



- When the message [00 ジョブ スキップ] appears on the display, you can press the **リセット** key to carry out a soft reset or hard reset. If you do so, any printing data being received or other interface printing data will be lost, so carry out printing again.
- When the message [03 ジョブ キャンセル] appears on the display, you cannot carry out a soft reset or hard reset. Wait until job cancel is complete or the message [00 ジョブ スキップ] appears on the display.

Checking Operations

To maintain the best print quality, the printer is equipped with functions such as the self-diagnosis function which allows checking of the printer's internal functions and test print which allows checking of the print quality.

Use these functions whenever necessary such as after preparing and connecting the printer or whenever you want to check its operating condition.

Test Print

The printer is equipped with test print functions for checking such items as printer status and print quality. After preparing and connecting the printer, perform a test print to check printer operations. Follow the instructions below to run a test print.

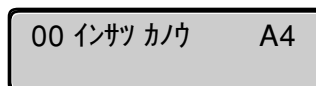
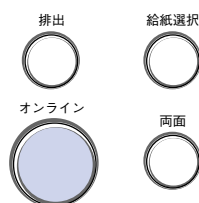


- The test print is programmed to print on A4 size paper.

1

Press the **オンライン** key to turn off the オンライン indicator.

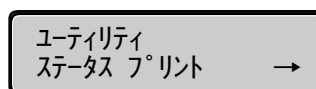
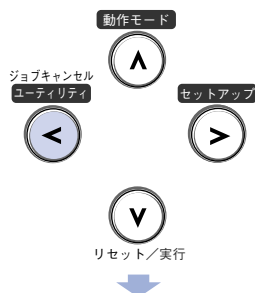
Setting can be carried out using the operation panel.



2

Press the **ユーティリティ** key.

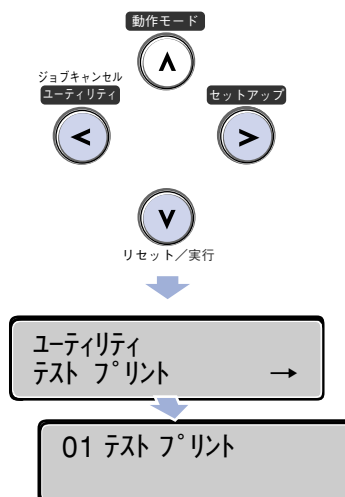
The message [ステータス プリント] appears on the display.



3

Use the (◀) and (▶) keys to select [ユーティリティ]. Then press the (▼) key.

The message [01 テスト プリント] appears on the display and test printing begins.



■ Test print contents

When a test print is performed, the print will be as shown in the diagram below. The test print allows you to check graphic diagrams, lines, grayscale gradations, samples of built-in fonts and print blurs.



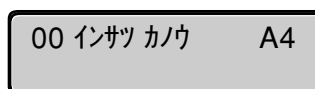
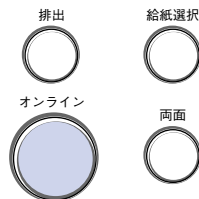
Status Print

Printer functions that can currently be used and a list of menu-programmed values are printed in a status print. To carry out a status print, follow the instructions below.

1

Press the **オンライン** key to turn off the オンライン indicator.

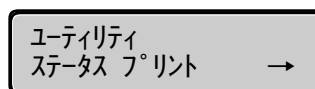
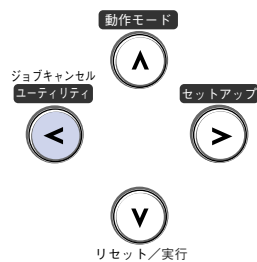
Setting can be carried out using the operation panel.



2

Press the **ユーティリティ** key.

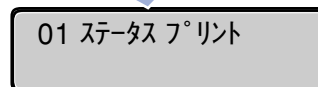
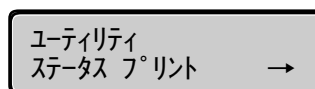
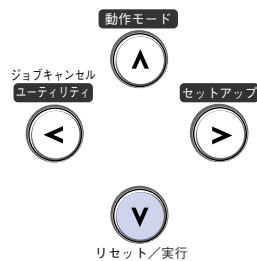
The message [ステータス プリント] appears on the display.



3

Press the **V** key.

The message [01 ステータス プリント] appears on the display and the status print begins.





- If the paper is smaller than A4, the image will not be reduced, but will be cut to size and then printed.
- The values that are programmed in menus from the printer's control panel are reflected in the status print. For example, if duplex printing is programmed, the status print will also be printed as a 2-page unit on both sides of the paper. However, the number of copies is ignored and one sheet is printed at all times.

■ Status print contents

A status print is printed as shown below. It allows checks to be made of functions that can be currently used, a list of values that are programmed in the printer function menu, the versions of software and hardware installed in the printer and the number of printed sheets.

Canon **STATUS PRINT** COLOR LASER SHOT LBP-2040

A4

ZOOM

950
DPI

Print Ready

1200
DPI

両面

Bypass

自動

印刷モード

印刷範囲

印刷サイズ

印刷縮尺

印刷部数

印刷範囲1

印刷範囲2

バージョン: R1.05.T0Y8Z6D 全体メモリ搭載容量: 12 (12 MB + 0 MB)
サブバージョン: 12.00.ZHD-3-C013J1.00 空きメモリ量: 813 Kbytes
フォントバージョン: 1997630 動作モード: 自動
紙張モード: 下カセット 優先エミュレーション: ESC/P

拡張機能グループ コピー枚数: 1枚 タイムアウト: 15秒 スリープモード: 180分 プリープ動作: 1回 警告表示: する トナー節約: 使わない ハイレスモード: 使わない トナー濃度L: 8 トナー濃度M: 14 トナー濃度Y: 8 トナー濃度C: 8 警告処理: 継続 自動エラースキップ: 使わない 表示言語: 日本語 自動切替/LIPS: 使う 自動切替/ESC/P: 使う	紙張グループ トレイ用紙サイズ: A4 デフォルト用紙サイズ: A4 トレイ優先: しない 自動選択/トレイ: 使う 自動選択/上カセット: 使う 自動選択/下カセット: 使う デフォルト用紙タイプ: 普通紙 トレイ用紙タイプ: OHP 用紙名称/トレイ: 用紙名称/上カセット: 用紙名称/下カセット:	インタフェースグループ インタフェース選択: 自動 Bios-Arch: A-B-A セントロスPEED変換: 高速 セントロスPEED変換: 低速 インプットプライム: 動作モード依存 反方向: コピー 受信バツプア: 64K
--	--	--

レイアウトグループ 縦罫正: 0.0mm 横罫正: 0.0mm 罫じ方向: 左手 罫じ幅: 0.0mm	印字調整グループ スーパースムーz: 使う 印字速度: 自動 データ処理: ファイン 解像処理: 高解像 カラーモード: 自動 モノクロ中間調選択: バスターン1 カラー中間調選択: 解像度 バツプ印刷: する 複製警告: 継続 システムワークメモリ: 自動	
--	--	--

デバイスID
Manufacturer: Canon
Model: COLOR LASER SHOT LBP-2040
Description: Canon COLOR LASER SHOT LBP-2040

搭載コントローラ
LIPS Ver.02.03 LIPSは、キヤノン株式会社の商標です。
ESC/P Ver.01.45 ESC/Pは、セイコーエプソン株式会社の登録商標です。

拡張インタフェース
製品名称: Canon NB-3P
ベンダーID: CANON INC.
バージョン: 003030301
ベンダーインフォ: MAC Address: 00085507010

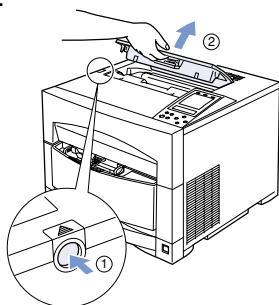
Page Count : 036220

Replacing a Toner Cartridge

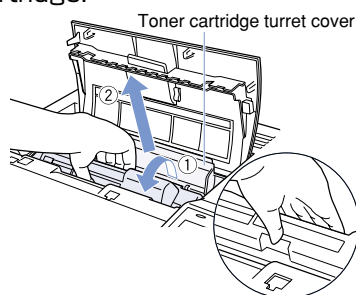
If the messages [16 C トナー チェック], [16 K トナー コウカン] or [16 Y トナー コウカン] appear on the display, or if a print starts to fade, follow the instructions below to replace the toner cartridge for the color required.

The instructions for changing the C(Cyan), M(Magenta), Y(Yellow) and K(Black) toner cartridges are the same. When the color mark is different to the color of the cartridge you want to change, open and close the toner cartridge cover again.

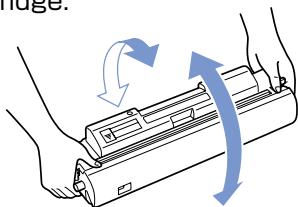
- 1 Press the toner cartridge cover open button to open the toner cartridge cover.



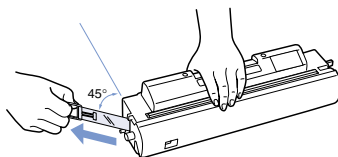
- 2 Open the toner cartridge turret cover and remove the used color toner cartridge.



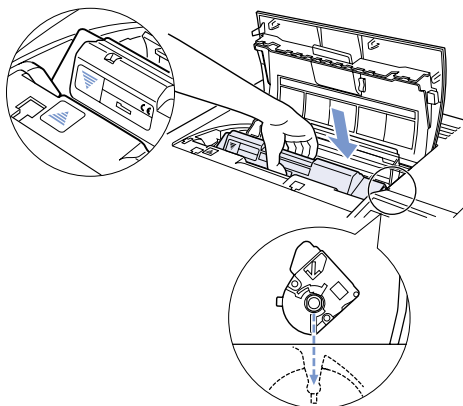
- 3 Shake the new toner cartridge gently five or six times so that the toner is evenly distributed within the cartridge.



- 4 Place the toner cartridge on a flat surface, press and hold the cartridge and pull out on the tape seal.



- 5 Line up the toner cartridge with the guide and insert it all the way in, then push it to the rear side to lock it into position.



- 6 Close the toner cartridge turret cover, then close the toner cartridge cover.

